

Titan Hydraulic Motor™

**HMS SERIES LOW SPEED, HIGH TORQUE,
RADIAL PISTON HYDRAULIC MOTORS**



FEATURES:

- INTERCHANGEABLE WITH HYDREX HYDRAULIC MOTORS (MADE BY FLENDER AND LATER BY HAGGLUNDS)
- MULTI-CAM LOBE DESIGN
- LARGE HOLLOW THRU-SHAFT
- 120 POWER STROKES PER REVOLUTION
- EXCEPTIONALLY QUIET RUNNING
- INTEGRAL TORQUE ARM AND COUPLING
- TANDEM MOUNTING CAPABILITY
- SUPERIOR LOW SPEED PERFORMANCE
- MULTIPLE MOUNTING CONFIGURATIONS
- VERY COMPACT
- WIDE RANGE OF ACCESSORIES
- DESIGNED FOR INDUSTRIAL DUTY APPLICATIONS
- OUTPUT TORQUE CAPACITY TO 210.600 Nm INTERMITTENTLY; 168.500 Nm CONTINUOUSLY

OPTIONS:

- HOLLOW THRU-SHAFT WITH INVOLUTE SPLINES
- SOLID OUTPUT SHAFT

ACCESSORIES:

- THRUST BEARINGS
- ENCODERS
- TORQUE ARMS
- FOOT BRACKETS
- MULTI-DISC BRAKES
- BACKSTOPS
- CROSS LINE RELIEF VALVES
- POWER UNITS AND CONTROL SYSTEMS
- PLANETARY TORQUE MULTIPLIERS WITH OUTPUT TORQUES TO 1'359.000 Nm OR MORE

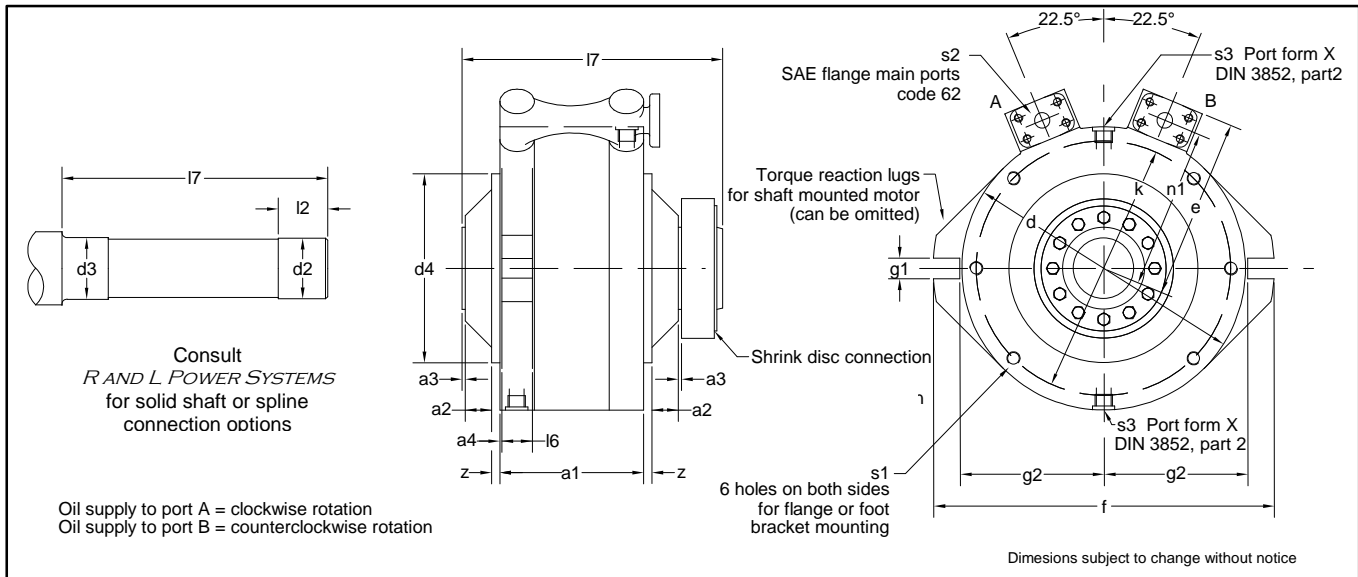
R & L POWER SYSTEMS

1019 LIBRA PLACE
BILLINGS, MT 59105 USA

Telephone: +1 (406) 839 - 1211
Telefax: +1 (832) 565 - 1853
Email: sales@randlpowersystems.com

www.randlpowersystems.com

TITAN Hydraulic Motor • Direct Drive • Shaft Mounted • Hollow Shaft with Shrink Disc Connection



Dimensions																							
Type	a1	a2	a3	a4	d	d2	d3	d4	d5	e	f	g1	g2	k	l2	l5	l6	l7	n1	s1	s2 SAE Flange	s3 Drain Port BSPP	Z
HMS Size	mm	mm	mm	mm	mm	mm	mm	mm	mm	mm	mm	mm	mm	mm	mm	mm	mm	mm	mm	mm	mm	mm	mm
345	175	32	4	3	345	74	75	230	170	220	415	25	173	310	70	50	37	317	195	M16x22	3/4"	G 1/2"	10
410	210	26	4	3	410	84	85	275	185	262	490	30	206	370	80	55	45	345	231	M16x24	1"	G 3/4"	10
455	235	28	5	3	455	94	95	310	215	295	545	33	228	410	85	60	50	381	260	M20x30	1 1/4"	G 3/4"	10
515	265	30	6	3	515	104	105	360	230	334	615	38	258	465	95	65	55	422	294	M20x35	1 1/2"	G 3/4"	10
575	295	29	6	4	575	114	115	385	263	367	685	42	288	520	105	70	65	465	325	M24x40	1 1/2"	G 1"	15
635	325	32	7	4	635	124	125	425	290	397	755	46	318	575	115	75	70	508	355	M24x45	1 1/2"	G 1"	15
690	350	35	7	5	690	139	140	465	330	430	820	50	346	625	130	95	73	559	386	M30x45	1 1/2"	G 1"	15
745	374	42	7	5	745	154	155	500	350	458	890	55	373	675	140	95	80	597	414	M30x50	1 1/2"	G 1"	15
910.1	460	52	8	8	910	189	190	700	405	550	1100	70	456	835	160	120	100	730	503	M36x55	2"	G 1 1/4"	15
910	460	52	8	8	910	189	190	700	405	550	1100	70	456	835	160	120	100	730	503	M36x55	2"	G 1 1/4"	15
1100.1	520	70	10	8	1100	229	230	820	485	650	1320	85	552	1000	160	135	105	855	600	M42x65	2"	G 1 1/4"	20
1100	520	70	10	8	1100	229	230	820	485	650	1320	85	552	1000	160	135	105	855	600	M42x65	2"	G 1 1/4"	20

Displacements, Torques, Pressures, Speed Ranges and Weights										
Type: HMS	Displacement	Torque Ratings (1)								
		Size	(cc ³ /rev)	litre/rev	Nm/bar	(2) Nominal (Nm)	(3) Max (Nm)	W ² (kg m ²)	Max Pressure bar	Speed Range L/min
345	1257	1,26	20	5000	6400	8.31	320	0-160	200	105
410	1962	1,96	31	7800	9985	18.91	320	1-160	190	175
455	2893	2,89	46	11500	14720	31.58	320	1-150	185	235
515	4150	4,15	66	16500	21120	58.16	320	1-150	180	330
575	5786	5,77	92	23000	29440	100.2	320	0-140	175	460
635	7798	7,80	124	31000	39680	166.9	320	0-120	155	610
690	10062	10,1	160	40000	51200	259.6	320	0-100	120	790
745	12578	12,6	200	50000	64000	360.0	320	0-80	100	980
910.1	18317	18,3	290	72000	93000	755	350	0-60	75	1820
910	23740	23,7	375	94000	120000	1019	320	0-50	60	1820
1100.1	31537	31,5	500	125000	160000	1720	350	0-40	50	3100
1100	41987	42,0	665	166000	213000	2600	320	0-32	40	3100

(1) Theoretical Values
 (2) Based on 250 bar, S.F. 1.0
 (3) Maximum 10% of the duty cycle